



## K 85

### 4 DIN module - up to 3 outputs

Regulators / mini-programmers  
with wattmeter function and independent timer

#### APPLICATION SECTORS

- Shoemaking Machineries
- Glueing and binding machines (hot glue)
- Packaging and blister packing machines
- Paint booths
- T-shirt print
- Climatic chambers
- Hot runner
- Glass bending ovens
- Extruders
- Industrial baking or large kitchens
- Continuous multi-zone ovens (for PCB, for leather goods, etc.)
- Ceramics ovens
- Heat-treatment ovens
- Ovens for goldsmiths and dentists
- Simple cascade controls

- Input for TC, RTD, PTC, NTC, mA or V
- **User Calibration**
- H/C PID Control with overshoot control, self-tune and **2 Autotuning algorithms**
- **8 segment programmer function with events** and stasis control (guaranteed soak)
- **Independent timer** with 4 functioning modes
- H/C On/OFF Control with compressor protection time
- **Wattmeter** for calculating the instantaneous power and energy used
- **Digital Retransmission** of the set point
- **Counter** for days and hours worked with programmable threshold for **programmed maintenance**
- Delay at the start up function
- **Parameter sequence freely programmable**
- Ramp to set point change
- RS485 Serial Communication with Modbus RTU protocol
- Soft start

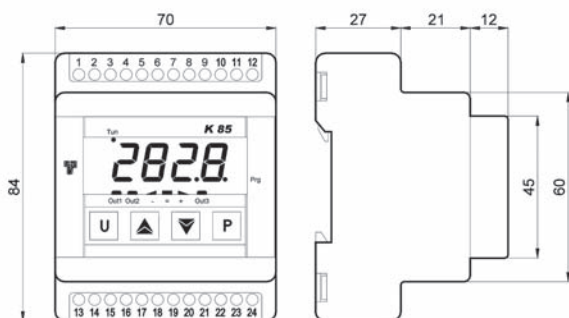
# K 85 - 4 DIN module up to 3 outputs



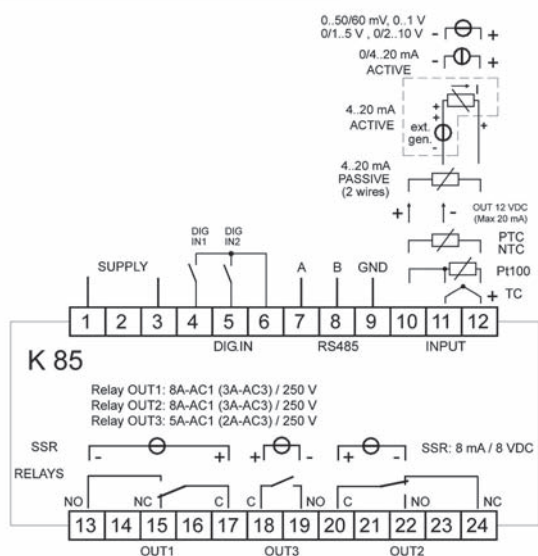
## MECHANICAL DATA

**Housing:** UL 94 V0 self-extinguishing plastic  
**Mounting:** on Omega DIN rail  
**Dimensions:** 4 DIN module, 70 x 84 mm, depth 60 mm  
**Display:** 4 Red Digit h 12 mm  
**Weight:** 180 g approx.  
**Terminal block:** 24 screw terminals (screw M3 for cables from 0.25 to 2.5 mm<sup>2</sup> or from AWG 22 to AWG 14)  
**Protection degree:** IP 40 (screw terminal IP20) according to EN 60070-1 for indoor use.

## DIMENSIONS (in mm)



## CONNECTIONS



# K Serie Regulators / mini-programmers with wattmeter function and independent timer

## HOW TO ORDER

**K85** - = Regulator  
**K85T** = Regulator + timer  
**K85P** = Regulator + timer + programmer

### Power supply

**L** = 24 V AC/DC  
**H** = 100 - 240 V AC

### Input

**C** = J, K, R, S, T, PT100, 0/12...60 mV  
**E** = J, K, R, S, T, PTC, NTC, 0/12...60mV  
**I** = 0/4...20 mA  
**V** = 0...1V, 0/1...5V, 0/2...10V

### Out 1

**R** = SPDT 8 A Relay (resistive)  
**O** = VDC for SSR

### Out 2

- = Not available  
**R** = SPDT 8 A Relay (resistive)  
**O** = VDC for SSR

### Out 3

- = Not available  
**R** = SPST-NO 5 A Relay (resistive)  
**O** = VDC for SSR

### Communication

- = TTL ModBus  
**S** = RS 485 ModBus

### Digital input

- = Not available  
**D** = 2 digital inputs

## ACCESSORIES

### A01 - Programming key

Makes it possible to:  
 - Memorize the configuration of an instrument to transfer it to other instruments  
 - Transfer a configuration to a PC  
 - Memorize a configuration memorized in a PC  
 - Let the instrument "converse" directly with a PC.



### WinTec - Supervisor

- Data Acquisition  
 - Supervision  
 - Alarm management  
 - Recipe management  
 - Trend  
 - Reports.

