



# TLZ 12

## MICROPROCESSOR-BASED DIGITAL ELECTRONIC FREEZER CONTROLLER



### OPERATING INSTRUCTIONS Vr. 01 (ENG) - cod.: ISTR 06416

**TECNOLOGIC S.p.A.**

**VIA INDIPENDENZA 56  
27029 VIGEVANO (PV) ITALY  
TEL.: +39 0381 69871  
FAX: +39 0381 698730**

**internet : <http://www.tecnologic.it>  
e-mail: [info@tecnologic.it](mailto:info@tecnologic.it)**

#### FOREWORD

This manual contains the information necessary for the product to be installed correctly and also instructions for its maintenance and use; we therefore recommend that the utmost attention is paid to the following instructions.

Though this manual has been issued with the greatest care, TECNOLOGIC S.p.A. will not take any responsibility deriving from its use.

The same applies to each person or Company involved in the issuing of this manual.

This document is the exclusive property of TECNOLOGIC S.p.A. which forbids any reproduction and divulgation, even in part, of the document, unless expressly authorized.

TECNOLOGIC S.p.A. reserves the right to make any formal or functional changes at any moment and without any notice.

#### INDEX

- 1 INSTRUMENT DESCRIPTION**
  - 1.1 GENERAL DESCRIPTION
  - 1.2 FRONT PANEL DESCRIPTION
- 2 PROGRAMMING**
  - 2.1 PROGRAMMING OF SET POINT
  - 2.2 PARAMETERS PROGRAMMING
  - 2.3 PARAMETER PROTECTION USING THE PASSWORD
  - 2.4 PARAMETERS PROGRAMMING LEVEL
  - 2.5 ON / STAND-BY FUNCTION
- 3 INFORMATION ON INSTALLATION AND USE**
  - 3.1 PERMITTED USE
  - 3.2 MECHANICAL MOUNTING
  - 3.3 ELECTRICAL CONNECTIONS
  - 3.4 ELECTRICAL WIRING DIAGRAM
- 4 FUNCTIONS**
  - 4.1 MEASURING AND VISUALIZATION
  - 4.2 TEMPERATURE CONTROL
  - 4.3 COMPRESSOR PROTECTION FUNCTION AND AND DELAY AT POWER-ON
  - 4.4 DEFROST CONTROL
  - 4.5 MANUAL DEFROST
  - 4.6 ALARM FUNCTIONS
    - 4.6.1 TEMPERATURE ALARMS
    - 4.6.2 EXTERNAL ALARM
  - 4.7 DIGITAL INPUT
  - 4.8 FUNCTION OF KEY "U"
  - 4.9 PARAMETERS CONFIGURATION BY KEY01
- 5 PROGRAMMABLE PARAMETERS TABLE**
- 6 PROBLEMS, MAINTENANCE AND GUARANTEE**
  - 6.1 SIGNALLING
  - 6.2 CLEANING
  - 6.3 GUARANTEE AND REPAIRS
- 7 TECHNICAL DATA**
  - 7.1 ELECTRICAL DATA
  - 7.2 MECHANICAL DATA
  - 7.3 MECHANICAL DIMENSIONS, PANEL CUT-OUT AND MOUNTING
  - 7.4 FUNCTIONAL DATA
  - 7.5 INSTRUMENT ORDERING CODE

### 1 - INSTRUMENT DESCRIPTION

#### 1.1 - GENERAL DESCRIPTION

The model TLZ 12 is a digital controller with microprocessor that is typically used in cooling applications that have temperature control with ON/OFF regulation and defrosting control with set time by means of stopping compressor.

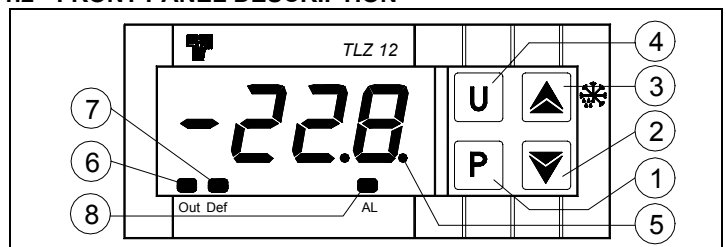
The instrument has up to 2 relay outputs, one input for PTC or NTC temperature probes and a digital input, that can be configured.

The 2 outputs can be used for controlling the compressor or the temperature control device (OUT) and an alarm (AL).

The instrument is equipped with 4 programme keys, a 4-digit display and 3 LED signals, in addition to an internal buzzer that is the sound system for alarms.

Other important characteristics of the instrument are: programme parameters protection using personalised password, switching on and off (stand-by) of the instrument using the "U" front key, configuration of parameters via the KEY 01 device and the possibility of power supply in the range 100 ... 240 VAC.

#### 1.2 - FRONT PANEL DESCRIPTION



**1 - Key P** : Used for setting the Set point and for programming the function parameters

**2 - Key DOWN** : Used for decreasing the values to be set and for selecting the parameters.

**3 - Key UP/DEFROST** : Used for increasing the value to be set, for selecting the parameters and for activating manual defrosting.

**4 - Key U** : It can be programmed via the parameter "USrb" to turning on and off (stand-by) the device. In the "hidden" parameter programming mode it's used to modify the visibility of the parameters (see par. 2.4).

**5 - Led SET** : Indicates the input in programming mode and the programming level of the parameters. It also serves to indicate the Stand-by status.

**6 - Led OUT** : Indicates the compressor output status (or the temperature control device) on (on), off (off) or inhibited (flashing).

**7 - Led DEF** : Indicates defrosting in progress (on) or dripping (flashing).

**8 - Led AL** : Indicates the alarm status (on), off (off) and silenced (flashing)

## 2 - PROGRAMMING

### 2.1 - PROGRAMMING OF THE SET POINT

Press the key **P** then release it and the display will show **SP** alternating with the set value.

To change it press the UP key to increase the value or DOWN to decrease it.

These keys increase or decrease the value one digit at a time, but if the button is pressed for more than one second the value increase or decreases rapidly, and after two seconds pressed, the speed increases even more to all the desired value to be reached rapidly.

Exiting the Set mode is achieved by pressing the P key or automatically if no key is pressed for 15 seconds. After that time the display returns to the normal function mode.

### 2.2 - PARAMETERS PROGRAMMING

To access the instrument's function parameters, press the key **P** and keep it pressed for about 5 seconds, after which the SET led will light up, the display will visualised the code that identifies the first parameter.

Using the UP and DOWN keys, the desired parameter can be selected and pressing the P key, the display will alternately show the parameter code and its setting that can be changed with the UP and DOWN keys.

Once the desired value has been set, press the key P again: the new value will be memorised and the display will show only the code of the selected parameter.

Pressing the UP and DOWN keys, it is possible to select another parameter and change it as described.

To exit the programming mode, do not press any key for about 20 seconds, or keep the UP or DOWN key pressed until it exits the programming mode.

### 2.3 - PARAMETER PROTECTION USING THE PASSWORD

The instrument has a parameter protection function using a password that can be personalised, through the "PASS" parameter.

If one wishes to have this protection, set the password number desired in the parameter "PASS".

When the protection is working, press the P key to access the parameters and keep it press for about 5 seconds, after which the LED SET will flash and the display will show "0".

At this point, using the UP and DOWN keys, set the password number programmed and press the key "P".

If the password is correct, the display will visualise the code that identifies the first parameter and it will be possible to programme the instrument in the same ways described in the previous section.

Protection using a password can be disabled by setting the parameter "PASS" = OFF.

### 2.4 - PARAMETERS PROGRAMMING LEVELS

The instrument has two parameter programming levels.

The first level ("visible" parameters) is accessed according to the procedure described above (with or without password request)

while the second level ("hidden" password) can be accessed according to the following procedure.

Remove the power supply to the instrument, press the key P and return power to the instrument, keeping the key pressed.

After about 5 sec. the SET led will light up, the display will show the code that identifies the first parameter and it will be possible to set the parameters of the instrument using the same programming procedure described previously.

Once the parameter has been selected and the SET is on, it means that the parameter can be programmed even on the first level ("visible").

If the LED is off it means that the parameter can only be programmed on this level (i.e. "hidden").

To change the visibility of the parameter, press the key U: the led SET will change status, indicating the accessibility level of the parameter (on = parameter "visible"; off = parameter "hidden").

The access procedure for "hidden" parameters allows the "PASS" parameter to be checked and changed, and is useful therefore if the password set has been forgotten.

### 2.5 - ON / STAND-BY FUNCTION

The instrument, once powered up, can assume 2 different conditions:

- ON : means that the controller uses the control functions.

- STAND-BY : means that the controller does not use any control function and the display is turned off except for the green SET led.

If there is no power, and then power returns, the system always sets itself in the condition it was in before the black-out.

The ON/Stand-by function can be selected using the key U if the parameter "USrb" = 1 (see par. 4.8)

## 3 - INFORMATION ON INSTALLATION AND USE



### 3.1 - PERMITTED USE

The instrument has been projected and manufactured as a measuring and control device to be used according to EN61010-1 for the altitudes operation until 2000 ms. The use of the instrument for applications not expressly permitted by the above mentioned rule must adopt all the necessary protective measures.

The instrument CANNOT be used in dangerous environments (flammable or explosive) without adequate protection. The installer must ensure that EMC rules are respected, also after the instrument installation, if necessary using proper filters. Whenever a failure or a malfunction of the device may cause dangerous situations for persons, thing or animals, please remember that the plant has to be equipped with additional devices which will guarantee safety.

### 3.2 - MECHANICAL MOUNTING

The instrument, in case 33 x 75 mm, is designed for flush-in panel mounting. Make a hole 29 x 71 mm and insert the instrument, fixing it with the provided special bracket. We recommend that the gasket is mounted in order to obtain the front protection degree as declared. Avoid placing the instrument in environments with very high humidity levels or dirt that may create condensation or introduction of conductive substances into the instrument. Ensure adequate ventilation to the instrument and avoid installation in containers that house devices which may overheat or which may cause the instrument to function at a higher temperature than the one permitted and declared. Connect the instrument as far away as possible from sources of electromagnetic disturbances such as motors, power relays, relays, solenoid valves, etc.

### 3.3 - ELECTRICAL CONNECTION

Carry out the electrical wiring by connecting only one wire to each terminal, according to the following diagram, checking that the power supply is the same as that indicated on the instrument and that the load current absorption is no higher than the maximum electricity current permitted.

As the instrument is built-in equipment with permanent connection inside housing, it is not equipped with either switches or internal devices to protect against overload of current: the installation will include an overload protection and a two-phase circuit-breaker, placed as near as possible to the instrument, and located in a position

that can easily be reached by the user and marked as instrument disconnecting device which interrupts the power supply to the equipment.

It is also recommended that the supply of all the electrical circuits connected to the instrument must be protected properly, using devices (ex. fuses) proportionate to the circulating currents.

It is strongly recommended that cables with proper insulation, according to the working voltages and temperatures, be used.

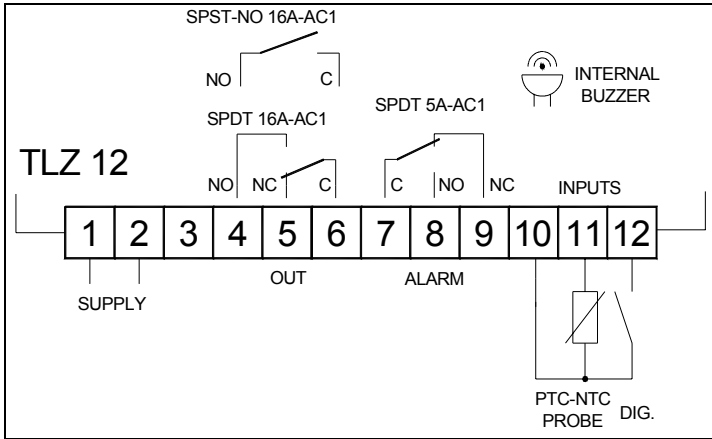
Furthermore, the input cable of the probe has to be kept separate from line voltage wiring. If the input cable of the probe is screened, it has to be connected to the ground with only one side.

Whether the instrument is 12 V version it's recommended to use an external transformer TCTR, or with equivalent features, and to use only one transformer for each instrument because there is no insulation between supply and input.

We recommend that a check should be made that the parameters are those desired and that the application functions correctly before connecting the outputs to the actuators so as to avoid malfunctioning that may cause irregularities in the plant that could cause damage to people, things or animals.

**Tecnologic S.p.A. and its legal representatives do not assume any responsibility for any damage to people, things or animals deriving from violation, wrong or improper use or in any case not in compliance with the instrument's features.**

### 3.4 - ELECTRICAL WIRING DIAGRAM



## 4 - FUNCTIONS

### 4.1 - MEASURING AND VISUALIZATION

Via the parameter "SEnS" it is possible to select the type of probes that one wishes to use and which can be: thermistors PTC KTY81-121 (Ptc) or NTC 103AT-2 (ntc).

Once the type of probe used has been selected, through the parameter "Unit", it is possible to select the temperature unit of measurement (°C or °F) and, through the parameter "dP", the resolution of the desired measurement (OFF=1°; On =0,1°).

The instrument allows the measuring to be calibrated, that can be used for re-calibrating the instrument according to application needs, through the parameters "OFS".

Using the parameter "FIL", it is possible to set the time constant for the software filter for measuring the input values to be able to reduce the sensitivity to measurement disturbances (increasing the time).

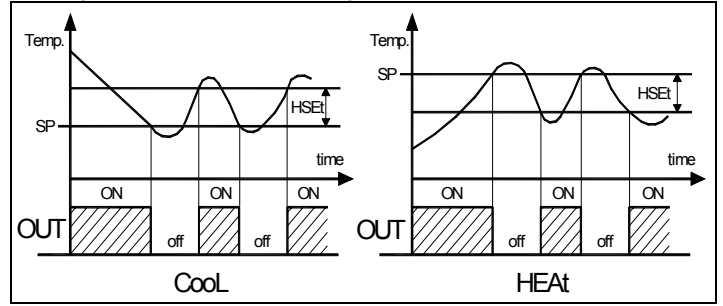
Please remember that visualisation of the probe can be changed by the display block in defrosting function too, by using the parameter "dLo" (see par. 4.4).

### 4.2 - TEMPERATURE CONTROL

The regulation of the instrument is ON/OFF and acts on the output "OUT" depending on the measuring of probe, of the Set Point "SP", the intervention differential "HSEt" and the function mode "Func".

Depending on the function mode programmed on the parameter "Func" the differential is automatically considered by the regulator

with positive values for a Refrigeration control ("Func"=Cool) or with negative values for a heating control ("Func"=HEAT).



In the event of probe error, it is possible to set the instrument so that the output "OUT" continues to work in cycles according to the times programmed in the parameter "tonE" (activation time) and "toFE" (deactivation time).

If an error occurs on the probe the instrument activates the output for the time "tonE", then deactivates it for the time "toFE" and so on whilst the error remains.

Programming "tonE" = OFF the output in probe error condition will remain switched off.

Programming instead "tonE" to any value and "toFE" = OFF the output in probe error condition will remain switched on.

Remember that the temperature regulation function can be conditioned by the "Compressor Protection" function described below.

### 4.3 - COMPRESSOR PROTECTION FUNCTION AND DELAY AT POWER-ON

The function "Compressor Protection" carried out by the machine aims to avoid close start ups of the compressor controlled by the instrument in cooling applications.

This function foresees a time control on the switching on of the "OUT" output associated with the temperature regulation request.

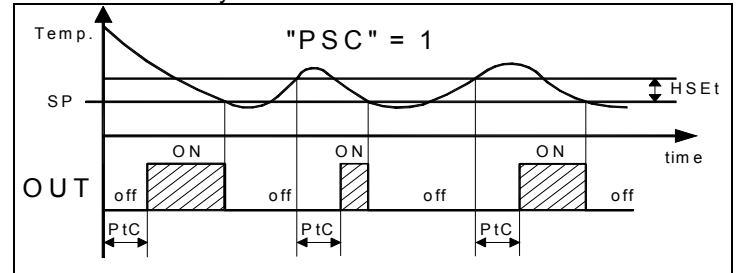
The protection consists of preventing the output being switched on during the time set in the parameter "PtC" and counted depending on what has been programmed in the parameter "PSC", and therefore that any activation occurs only after the "PtC" time has finished.

If during the power on delay phase, the regulator request should disappear, due to an inhibition caused by the compressor protection function, the foreseen start up of the output is naturally cancelled.

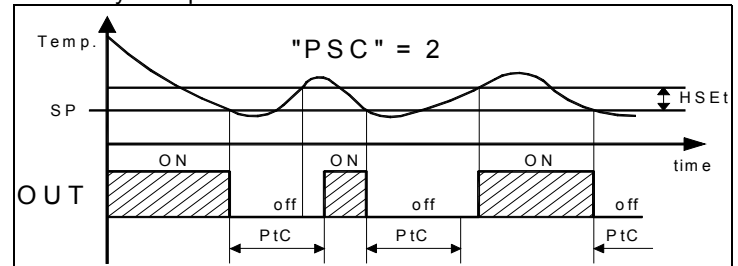
Using the parameter "PSC", it is possible to set the type of compressor protection and therefore from when the inhibition time "PtC" must start.

The parameter "PSC" can be set as:

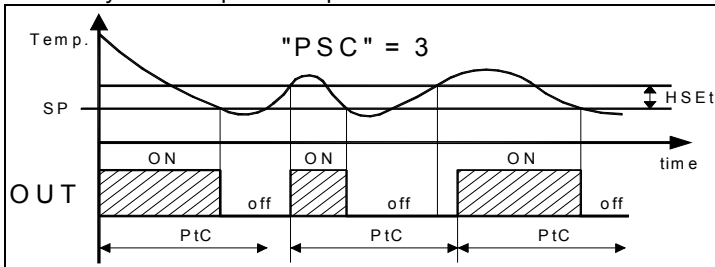
= 1 : Power on delay



= 2 : Delay after power off



= 3 : Delay between power on phases.



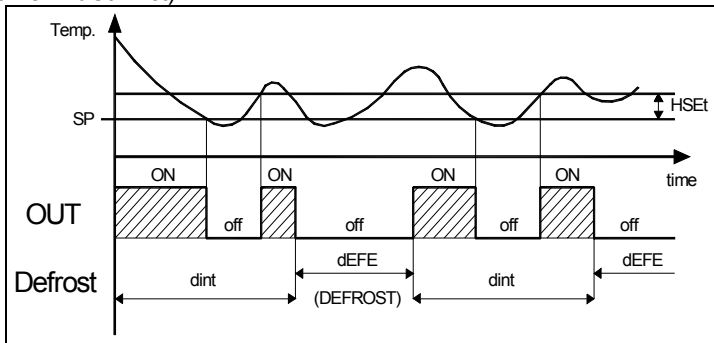
The function is disabled by programming "PtC" = 0.  
 During the power on delay phases of the OUT output by inhibiting the function "Compressor Protection" the led OUT flashes.  
 It is also possible to prevent activation of the output after the instrument is turned on, for the time set in the parameter "od".  
 The function is disabled by "od" = OFF.  
 During the power on delay phase, the display shows the indication **od**, alternating with the normal programmed visualisation.

#### 4.4 - DEFROST CONTROL

The automatic control of defrost, that is by stopping compressor, occurs according to this parameters:

- "dCt" : Defrost interval computation
  - rt - based on real time (instrument on)
  - ct - based only on compressor running time (output on)
- "dint" : Interval between defrost cycles
- "dEFE" : Length of defrost cycles

The instrument switch off the output for the time "dEFE" each "dint" time (of real time functioning if "dCt" = rt, or of compressor running time if "dCt" = ct).



(ex. with "dC" = rt)

The occurring defrost cycle is signaled by the led DEF.  
 Through par. "dLo", "Etdu" and "dALd" it's possible to define the display behaviour during defrost.

The "dLo" parameter permits the display visualization lock on the last temperature reading (dLo = On) during all the defrost cycle until, at the end of defrost, the temperature has not reached the value [SP + Etdu] or is ended the time setted on par. "dALd".

Or it permits the visualization of label "dEF" ("dLo" = Lb) during the defrost cycle and, after the defrost, of label "PdEF" until, at the end of defrost, the temperature has not reached the value [SP + Etdu] or is ended the time setted on par. "dALd".

The display will otherwise continue to visualize the temperature measured by the probe during the defrost cycle ("dLo" = OFF).

Note that during defrosting, the temperature alarms are disabled during the whole cycle and also afterwards for the time set in the parameter "dALd" (see par. 4.6).

#### 4.5 - MANUAL DEFROST

To start up a manual defrosting cycle, press the key UP/DEFROST when it is not in programming mode and keep it pressed for about 5 seconds after which, if the conditions are correct, the led DEF will light up and the instrument will carry out a defrosting cycle.

The start up or switch off commands of a defrosting cycle can also be given by the digital input that are correctly programmed (see par. 4.7).

#### 4.6 - ALARM FUNCTIONS

The alarm functions of the instrument work on the led AL, on the internal buzzer (if present) and on the output AL (if present)

The buzzer are activated in alarm conditions and can be disabled (alarm silencing) manually by pressing any key of the instrument .  
 Any active alarm is shown on the instrument display with the lighting up of the AL led .

Any silenced alarm status is shown by the AL led flashing .

The output AL are activated in alarm status but cannot be disabled manually and are therefore only disabled when the alarm status ceases.

The alarm conditions of the instrument are:

- Probe errors "E1", "-E1"
- temperature alarms "HI" and "LO"
- External alarms "AL"

##### 4.6.1 - TEMPERATURE ALARMS

The temperature alarms, that are relative type, work according to the probe measurement, the alarm thresholds set in parameters "HAL" (maximum alarm) and "LAL" (minimum alarm) and the relative differential "dAL".

Using some parameters it is also possible to delay the enablement and the intervention of these alarms.

These parameters are:

"PAL" - is the temperature alarm exclusion time on switching on the instrument if the instrument is in alarm status when it is switched on.

"dALd" - is the temperature alarm exclusion time at the end of defrosting.

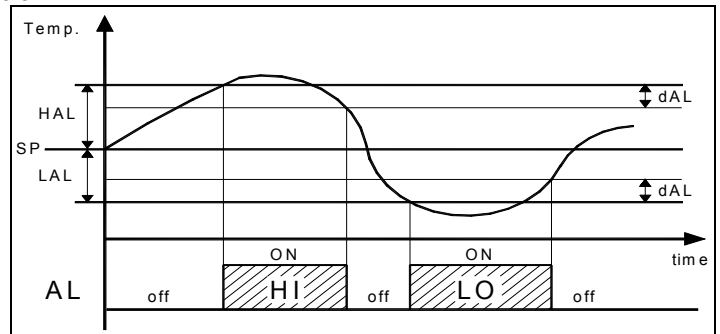
"ALd" - is the temperature alarm delay activation time

The temperature alarm is enabled at the end of exclusion time and is enabled after the "ALd" time when the temperature measured by the probe exceeds the value [SP+"HAL"] or goes below the value [SP-"LAL"].

The maximum and minimum temperature alarms can be disabled by setting the relative parameters "HAL" and "LAL" = OFF.

At the same time as the signalling of the alarm device (buzzer and output AL), the instrument signals the alarm by turning on the led light AL, and visualises on the display:

- Alternately **HI** and the measured temperature for maximum alarm
- Alternately **LO** and the measured temperature for the minimum alarm



##### 4.6.2 - EXTERNAL ALARM

The instrument can signal an external alarm by activating the digital input with the function programmed as "diF" = 3 (see par. 4.7).

At the same time as the signalling of the alarm (buzzer and/or output), the instrument signals the alarm by turning on the led AL and visualising **AL** and the measured temperature alternately on the display.

##### 4.7 - DIGITAL INPUT

The digital input present on the instrument accepts contacts free of voltage, the function carried out is defined by the parameter "diF".

The parameter "diF" can be configured for the following functions:

- = 0 - Digital input not active
- = 1 - defrosting commencement command with contact normally open: on closing the input a defrosting cycle is activated.

= 2 - defrosting end command with contact normally open: on closing the input a defrosting cycle is ended if in progress or defrosting is inhibited.

= 3 - External alarm signal with contact normally open: on closing the input the alarm is activated and the instrument visualises **AL** and the measured temperature alternately on the display.

= -1 - defrosting commencement command with contact normally closed : similar to "diF"=1 but with function logic reversed.

= -2 - defrosting end command with contact normally closed : similar to "diF"=2 but with function logic reversed.

= -3 - External alarm signal with contact normally closed : similar to "diF"=3 but with function logic reversed.

#### 4.8 - FUNCTIONING OF KEY "U"

The U key function can be defined by the parameter "**USrb**" and can be configured for the following functions:

= **OFF** - The key U carries out no function.

= **1** - Pressing the key for at least 1 second, it is possible to switch the instrument from the ON status to Stand-by status and vice versa.

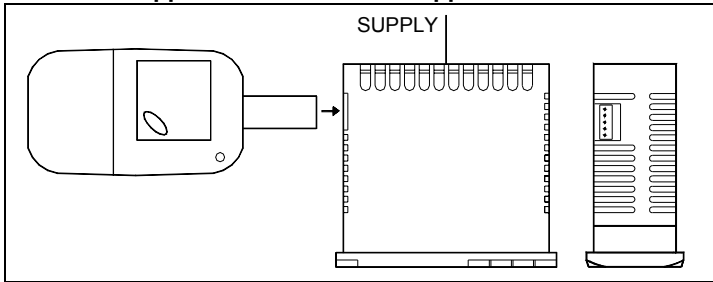
#### 4.9 - PARAMETERS CONFIGURATION BY "KEY01"

The instrument is equipped with a connector that allows the transfer from and toward the instrument of the functioning parameters through the device **TECNOLOGIC KEY01** with **5 poles** connector.

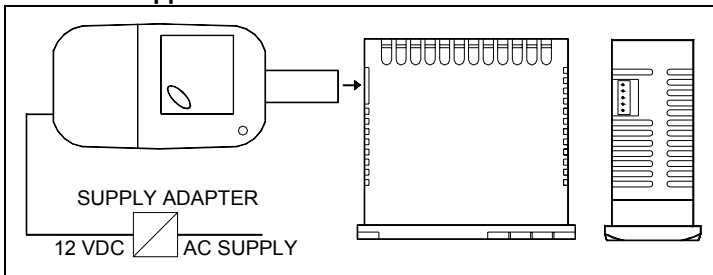
This device it's mainly useable for the serial programming of the instruments which need to have the same parameters configuration or to keep a copy of the programming of an instrument and allow its rapid retransmission.

To use the device KEY01 it's necessary that the device or instrument are being supplied.

##### Instrument supplied and device not supplied



##### Instrument supplied from the device



To transfer the configuration of an instrument into the device (**UPLOAD**) it is necessary to proceed in the following way:

1) position both dip switch of KEY 01 in the **OFF** mode.  
2) connect the device to the instrument TLZ plugging the special connector.

3) verify that the instrument or the device are supplied  
4) observe the indication led on the device KEY 01: if it results green this means that a configuration is already loaded on the device while if it results green blinking or red blinking this means that it has not been loaded any valid configuration on the device .  
5) press the button placed on the device.

6) observe the indication led : after having pressed the button, the led becomes red and therefore, at the end of the data transfer, it becomes green.

7) now it is possible to disconnect the device.

To transfer the configuration loaded on the device onto an instrument of the same family (**DOWNLOAD**), it is necessary to proceed in the following way:

1) position both dip switch of KEY 01 in the **ON** mode.

2) connect the device to an instrument TLZ having the same features of the one from which has been downloaded the desired configuration, plugging the special connector.

3) verify that the instrument or the device are supplied

4) observe the indication led on the device KEY 01: it has to result green, because if the led results green blinking or red blinking, this means that on the device it has not been downloaded any valid configuration and therefore it's useless to continue.

5) if the les results green, press the button placed on the device.

6) observe the indication led : after having pressed the button, the led becomes red and therefore, at the end of the data transfer, it becomes green.

7) now it is possible to disconnect the device.

For additional info, please have a look at the **KEY01 instruction manual**.

### 5 - PROGRAMMABLE PARAMETERS TABLE

Here below is a description of all the parameters available on the instrument. Some of them may not be present, either due to the fact they depend on the type of instrument or because they are automatically disabled as unnecessary.

Par.	Description	Range	Def.	Note
1	<b>SPLL</b>	Minimum Set Point	-58.0 ÷ SPHL	-50.0
2	<b>SPHL</b>	Maximum Set Point	SPLL ÷ 302.0	100.0
3	<b>SEnS</b>	Probe Type	Ptc - ntc	Ptc
4	<b>OFs</b>	Probe Calibration	-30.0 ÷ 30.0 °C/°F	0.0
5	<b>Unit</b>	Unit of measurement	°C - °F	°C
6	<b>dP</b>	Decimal point	On - OFF	On
7	<b>FIL</b>	Measurement filter	OFF ÷ 20.0 sec	2.0
8	<b>HSEt</b>	Differential	0.0 ÷ 30.0 °C/°F	2.0
9	<b>tonE</b>	Activation time output OUT for probe broken	OFF ÷ 99.59 min.sec	OFF
10	<b>toFE</b>	Deactivation time output OUT for probe broken	OFF ÷ 99.59 min.sec	OFF
11	<b>Func</b>	Function mode output OUT	HEAt - Cool	Cool
12	<b>dint</b>	Defrosting interval	OFF ÷ 24.00 hrs.min	6.00
13	<b>dEFE</b>	Lenght of defrost cycle	0.01 ÷ 99.59 min.sec	30.00
14	<b>dCt</b>	Defrosting intervals Counting mode: rt = real time ct = On OUT time	rt - ct	rt
15	<b>dLo</b>	Defrost display Lock: OFF= display free On= Lock on temperature before defrost Lb= Lock on label "dEF" (during defrosting) and "PdEF" (during post-defrosting)	On - OFF - Lb	OFF
16	<b>Etdu</b>	Differential display unlock after defrost	0.0 ÷ 30.0 °C/°F	2.0
17	<b>PSC</b>	Type of compressor protection: 1= delay at switch on 2= delay after switch off 3= delay between starts	1 - 2 - 3	1
18	<b>PtC</b>	Compressor protection time	OFF ÷ 99.59 min.sec	OFF
19	<b>od</b>	Delay at power on	OFF ÷ 99.59 min.sec	OFF
20	<b>HAL</b>	Relative High temperature Alarm threshold	OFF ÷ 100.0 °C/°F	OFF
21	<b>LAL</b>	Relative Low temperature Alarm threshold	OFF ÷ 100.0 °C/°F	OFF

22	<b>dAL</b>	Temperature Alarms Differential	0.0 ÷ 30.0 °C/°F	2.0	
23	<b>ALd</b>	Temperature Alarms delay	OFF ÷ 99.59 min.sec	OFF	
24	<b>PAL</b>	Temperature Alarms delay at power on	OFF ÷ 24.00 hrs.min	2.00	
25	<b>dALd</b>	Temperature Alarms delay and unlock display delay after defrost	OFF ÷ 24.00 hrs.min	1.00	
26	<b>USrb</b>	Function mode key U: OFF= No Function 1= ON/STAND-BY	OFF / 1	OFF	
27	<b>diF</b>	Function and function logic of digital input: 0 = No function 1= Start defrost 2= End defrost 3= External alarm	-3 / -2 / -1 / 0 / 1 / 2 / 3	0	
28	<b>PASS</b>	Access Password to parameter functions	OFF ÷ 9999	OFF	
29	<b>SP</b>	Set Point	SPLL ÷ SPHL	0.0	

## 6 - PROBLEMS, MAINTENANCE AND GUARANTEE

### 6.1 - SIGNALLING

#### Error Signalling:

Error	Reason	Action
<b>E1</b> <b>-E1</b>	The probe may be interrupted or in short circuit, or may measure a value outside the range allowed	Check the correct connection of the probe with the instrument and check the probe works correctly
<b>EEPr</b>	Internal memory error	Check and if necessary re-programme the parameters function.

In probe error status, the output OUT behaves as set by the parameters "tonE" and "toFE".

#### Other Signalling:

Message	Reason
<b>od</b>	Delay in switching on in progress
<b>dEF</b>	Defrosting in progress with "dLo"=Lb
<b>PdEF</b>	Post-defrosting in progress with "dLo"=Lb
<b>HI</b>	Maximum temperature alarm in progress
<b>LO</b>	Minimum temperature alarm in progress
<b>AL</b>	Digital input alarm in progress

### 6.2 - CLEANING

We recommend cleaning of the instrument with a slightly wet cloth using water and not abrasive cleaners or solvents which may damage the instrument.

### 6.3 - GUARANTEE AND REPAIRS

The instrument is under warranty against manufacturing flaws or faulty material, that are found within 12 months from delivery date. The guarantee is limited to repairs or to the replacement of the instrument.

The eventual opening of the housing, the violation of the instrument or the improper use and installation of the product will bring about the immediate withdrawal of the warranty's effects.

In the event of a faulty instrument, either within the period of warranty, or further to its expiry, please contact our sales department to obtain authorisation for sending the instrument to our company. The faulty product must be shipped to TECNOLOGIC with a detailed description of the faults found, without any fees or charge for Tecnologic, except in the event of alternative agreements.

## 7 - TECHNICAL DATA

### 7.1 - ELECTRICAL DATA

**Power supply:** 12 VAC/VDC, 24 VAC/VDC, 100..240 VAC +/- 10%  
**Frequency AC:** 50/60 Hz  
**Power consumption:** 3 VA approx.

**Input/s:** 1 input for temperature probes: PTC (KTY 81-121, 990 Ω @ 25 °C) or NTC (103AT-2, 10KΩ @ 25 °C); 1 digital input for free voltage contacts

**Output/s:** up to 2 relay outputs: OUT SPST-NO (16A-AC1, 6A-AC3 250 VAC) or SPDT 16A-AC1, 6A-AC3 250 VAC) and AL SPST-NO (5A-AC1, 2A-AC3 250 VAC).

**Electrical life for relay outputs:** OUT SPST-NO: 100000 op. ; SPDT: 50000 op. (om. VDE); AL: 100000 op.

**Installation category:** II

**Measurement category:** I

**Protection class against electric shock:** Class II for Front panel

**Insulation:** Reinforced insulation between the low voltage part (supply H type and relay outputs) and front panel; Reinforced insulation between the low voltage section (supply type H and relay outputs) and the extra low voltage section (inputs); Reinforced between supply and relay outputs; No insulation between supply F type and inputs.

### 7.2 - MECHANICAL DATA

**Housing:** Self-extinguishing plastic, UL 94 V0

**Dimensions:** 33 x 75 mm, depth 64 mm

**Weight:** 115 g approx.

**Mounting:** Flush in panel in 29 x 71 mm hole

**Connections:** 2,5 mm<sup>2</sup> screw terminals block

**Degree of front panel protection :** IP 65 mounted in panel with gasket

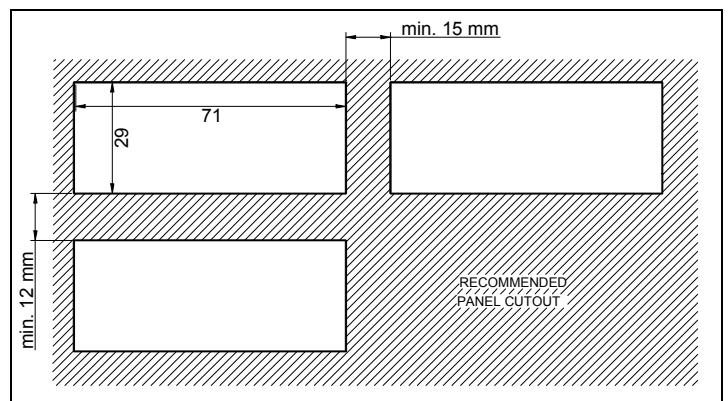
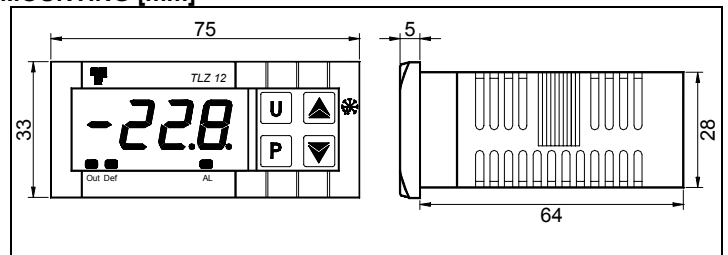
**Pollution situation:** 2

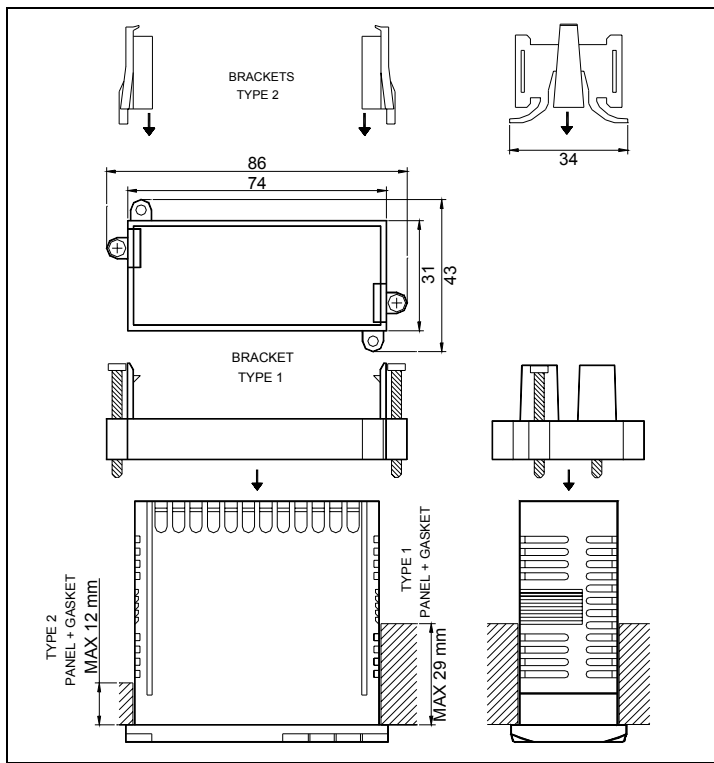
**Operating temperature:** 0 ... 50 °C

**Operating humidity:** 30 ... 95 RH% without condensation

**Storage temperature:** -10 ... +60 °C

### 7.3 - MECHANICAL DIMENSIONS, PANEL CUT-OUT AND MOUNTING [mm]





#### 7.4 - FUNCTIONAL FEATURES

Temperature Control: ON/OFF mode

Defrost control: interval cycles by stopping compressor

Measurement range: PTC: -50...150 °C / -58 ... 302 °F;

NTC: -50...109 °C / -58...228 °F

Display resolution: 1 ° or 0,1°

Overall accuracy: +/- 0,5 % fs

Sampling rate: 130 ms.

Display: 4 Digit Red h 12 mm

Compliance: ECC directive EMC 89/336 (EN 61326), ECC directive LV 73/23 and 93/68 (EN 61010-1)

#### 7.5 - INSTRUMENT ORDERING CODE

**TLZ 12 a b c d ee f**

##### **a : POWER SUPPLY**

**H** = 100...240 VAC

**L** = 24 VAC/VDC

**F** = 12 VAC/VDC

##### **b : OUTPUT OUT TYPE**

**S** = Relay SPDT 16A-AC1

**R** = Relay SPST-NO 16A-AC1

##### **c : ALARM OUTPUT**

**R** = Relay

- = None

##### **d : INTERNAL BUZZER**

**B** = Yes

- = No

##### **ee : SPECIAL CODES**

##### **f : SPECIAL VERSIONS**