

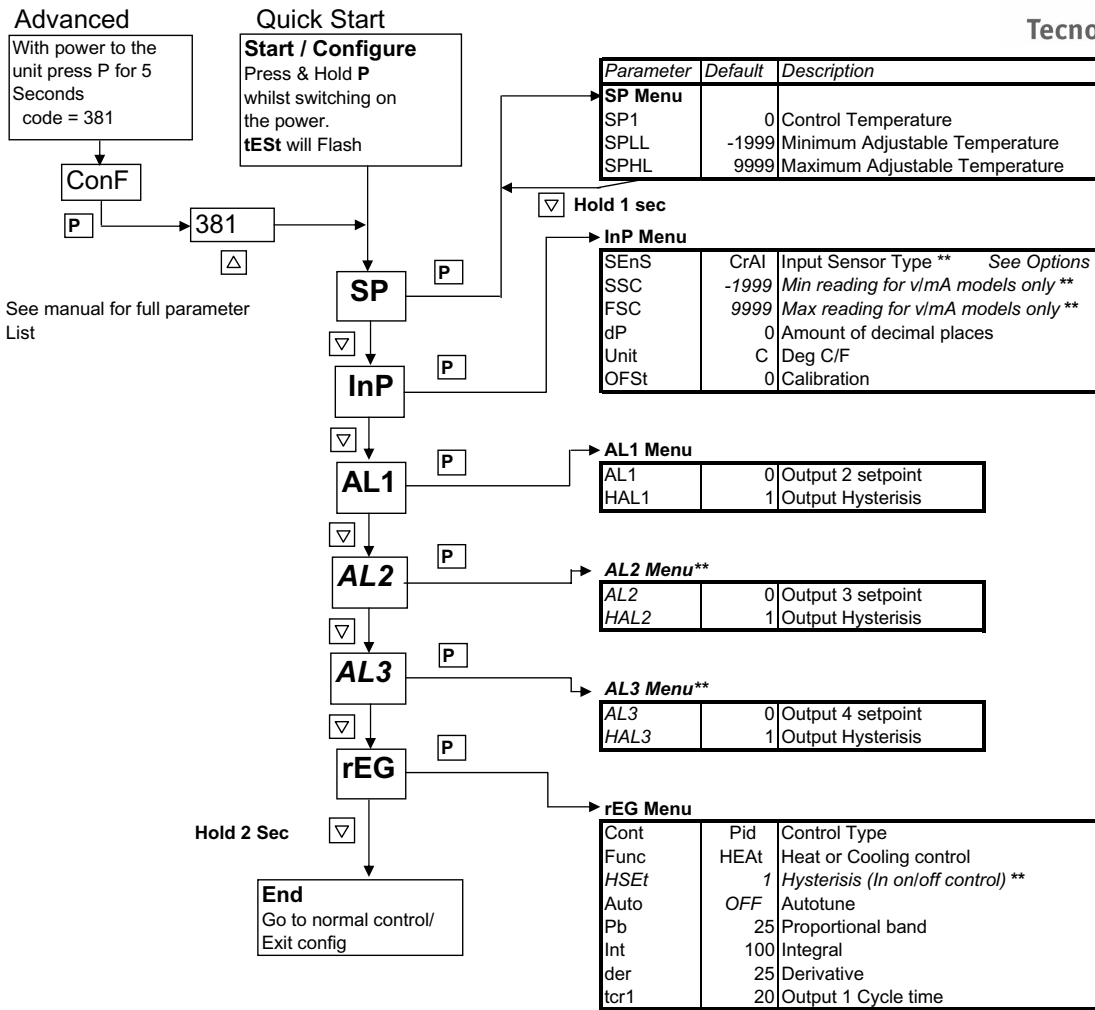
# TLK 31/ 38/ 48 T Quick Set-Up Guide

Models with only 2 outputs will not show AL2 or AL3 Menus\*\*

\*\* Items may not appear depending on model/ program



Tecnologic UK Ltd



## Key

<b>P</b>	P button used for entering or viewing a parameter/ menu
<b>▽</b> <b>△</b>	Up & Down buttons used for changing values
<b>▽</b> (long)	Holding down for 1 second will take you back one step Holding down for 2 seconds will take you out of configuration

## Setting information

Parameter	Meaning
<b>SEnS</b>	Input type Thermocouples K = CrAl J = J R = r T = t S = S Millivolts DC 0-60=0.60 0-50=0.50 12-60=12.60 Rtd/Pt100 = Pt1 Infra-Red Prefix IR in front of thermocouple type
<b>SSC</b>	Sets the lower display reading for analogue inputs
<b>FSC</b>	Sets the higher display reading for analogue inputs
<b>AL</b>	Alarm Setting Relays Close on temperature rise. See manual for alternative settings
<b>Auto</b>	Autotuning for Pb, It, dEr, tc1, tc2, PrAt where applicable To do an autotune, change setting to ( 2 ) & SP to the normal set temperature This will go into autotune the next time the unit is switched on See manual for further information

### Removing the AL1, AL2, AL3 settings from appearing in setpoint menu (after a setpoint change)

1. Go into configuration to parameter AL1.
2. A green LED is on, on the bottom right of the display, showing that AL1 is not hidden
3. Press the U key, the light will now be off, and the AL1 setting will only appear in the configuration menu
4. Hold the Down key for 2 seconds to exit Configuration

*the complete temperature control solution*

Wesley House, 24 Grosvenor Road, Aldershot, Hants GU11 1DP. United Kingdom.

t: 01252 331095 f: 01252 334630 e: sales@tecnologicuk.co.uk

VAT registration no: 799 8616 39 Company registration no: 4550940