

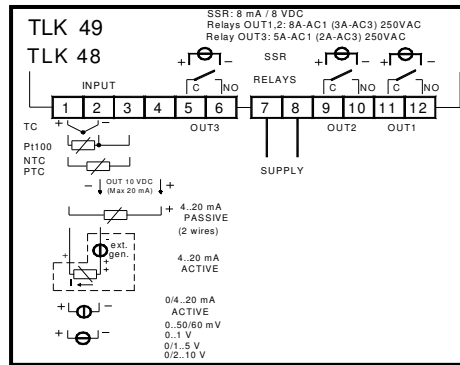
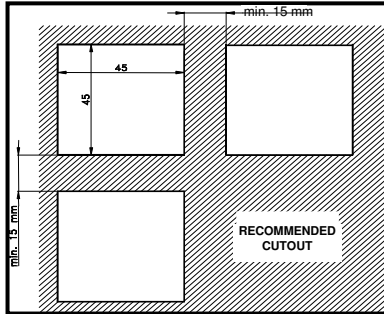
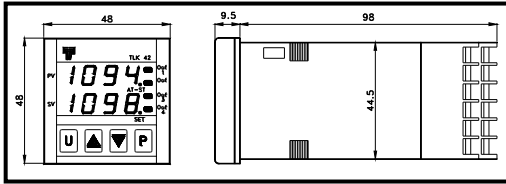


- PID
- RS485
- 4 RELAYS
- 1/16 DIN

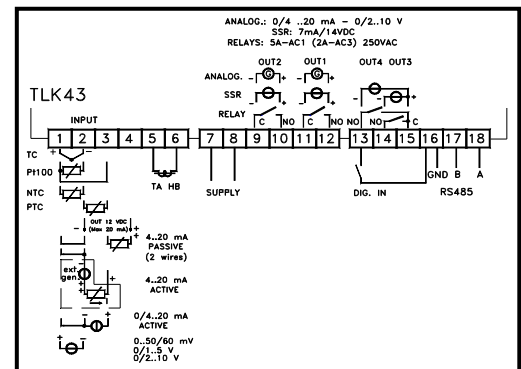
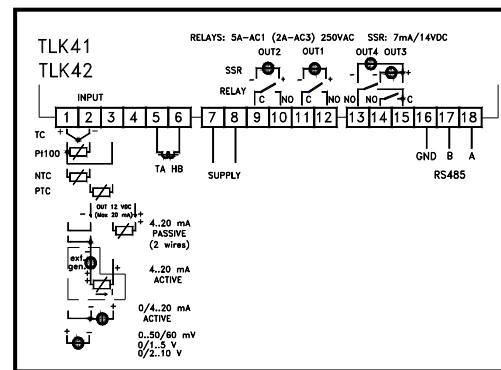


MECHANICAL CHARACTERISTICS		
Housing	Self-extinguishing plastic, UL 94 V0	
Dimensions	48x48 mm – depth 98 mm (1/16DIN)	
Weight	225 g approx. / 190 g. approx.	
Connections	2x1 mm <sup>2</sup> screw terminal block	
Mounting	Flush in panel in 45x45 mm hole	
Front panel protection	IP 54 mounted in panel with gasket	
ELECTRICAL DATA		
Power supply	24 VAC/VDC, 100...240 VAC +/-10%	
AC Frequency	50 / 60 Hz	
Power consumption	5 VA approx. / 9 VA approx.	
INPUT DATA		
4 different configurations for programmable multi-input	Thermocouples J, K, - IEC 584-2, Pt 100 – According to IEC 751, TECNOLOGIC Infrared IRS J and K 0...50 mV, 0...60 mV, 12...60 mV	--
	Thermocouples J, K, S – IEC 584-2 PTC KTY 81-121 (990 Ω at 25°C) NTC 103AT-2 (10 kΩ at 25°C) TECNOLOGIC Infrared IRS J and K 0...50 mV, 0...60 mV, 12...60 mV	--
	0/4...20 mA	--
	0/1...5 V, 0/2...10 V	--
Programmable universal input	--	Thermocouples J, K, S – According to IEC 584-2, Pt 100 – According to IEC 751 TECNOLOGIC Infrared Thermocouples IRS J and K PTC KTY 81-121 (990 Ω at 25°C) NTC 103AT-2 (10 kΩ at 25°C) 0...50 mV, 0...60 mV, 12...60 mV 0/4...20 mA 0/1...5 V, 0/2...10 V
Current transformer input	--	CT 50 mA max
Digital Input	--	Optoisolated
Normalized signals input impedance	for 0/4...20 mA input : 51 Ω - for mV and V input : 1 MΩ	
OUTPUT DATA		
Relay	2 SPST-NO (8 A-AC1, 3 A-AC3 / 250 VAC) + 1 SPST-NO (5 A-AC1, 2 A-AC3 / 250 VAC)	Up to 4 outputs SPST-NO (5 A-AC1, 2 A-AC3 / 250 VAC)
Relay electric life	100000 operations	
Current output	--	2 x 0/4...20 mA
Voltage output	--	2 x 0/2...10 V
Voltage for SSR driving	Up to 3 outputs : 8 mA / 8 VDC with protection against short circuits	Up to 4 outputs : 7 mA at 14 VDC with protection against short circuits
Auxiliary pow. sup. Output	10 VDC / 20 mA max	12 VDC / 20 mA max
FUNCTIONAL DATA		
Control	ON/OFF, Neutral Zone, PID single and double action programmable	
Multi Set Point	Up to 4 programmable Set Points	
Signal re-transmission	--	Yes
Motorized actuators control	--	3 points control
Overall accuracy	+/-0.5% full scale	+/-0.15% full scale
Display resolution	According to the used probe 1/0,1/0,01/0,001	
Measurement range	According to the used probe and to the measurement unit	
Measurement unit	°C - °F, programmable	
Max. cold junction compensation drift	0.04 °C/°C with operating temperature 0...50 °C after warm-up time of 20 min.	
Sampling rate	8 samples per second	
Serial communication	--	RS485 with MODBUS-RTU (JBUS) protocol
Communication rate	--	1200...38400 baud, selectable
Display	4 digit h=12 mm	4+4 digit h=7 mm
Parameters access	Protected by password	
Operating temperature	0...50°C	
Operating humidity	30...95 RH% without condensation	

### DIMENSIONS (mm)



### CONNECTIONS



TLK 48	Single Display	48 x 48 (1/16 DIN)
TLK 49	Dual Display	
Description	Codes	Codes Description
Power Supply	L	24 VAC/DC
	H	100...240 VAC
Input Signal	V	0-1/5V, 0-2/10 V
	I	0/4-20 mA
	E	TC (J,K,S,IR),PTC,NTC, mV
	C	TC (J,K,S,IR),PT100, mV
First output OUT 1	R	Relay
	O	8 mA / 8 VDC for SSR
Second output OUT 2	R	Relay
	O	8 mA / 8 VDC for SSR
	-	None
Third output OUT 3	R	Relay
	O	8 mA / 8 VDC for SSR
	-	None

### CODING

TLK 41	Single Display	48 x 48 (1/16 DIN)
TLK 42	Dual Display	
Description	Codes	Codes Description
Power Supply	L	24 VAC/DC
	H	100...240 VAC
First output OUT 1	R	Relay
	O	7 mA/14 VDC for SSR
Second output OUT 2	R	Relay
	O	7 mA/14 VDC for SSR
	-	None
Third output OUT 3	R	Relay
	O	7 mA/14 VDC for SSR
	-	None
Fourth output OUT 4	R	Relay
	O	7 mA/14 VDC for SSR
	-	None
Serial Communication	S	RS485
	-	None
Heater Break Alarm HB	H	CT Input
	-	None

TLK 43	Dual Display	48x48 (1/16 DIN)
Description	Codes	Codes Description
Power Supply	L	24 VAC/DC
	H	100...240 VAC
First output OUT 1	R	Relay
	O	7 mA/14 VDC for SSR
	C	0/4..20 mA
	V	0/2..10 V
Second output OUT 2	R	Relay
	O	7 mA/14 VDC for SSR
	C	0/4..20 mA
	V	0/2..10 V
Third output OUT 3	R	Relay
	O	7 mA/14 VDC for SSR
	-	None
Fourth output OUT 4	R	Relay
	O	7 mA/14 VDC for SSR
	-	None
Serial Communication & Digital Input	S	RS485
	I	RS485+Digital input
Heater Break Alarm HB	H	CT Input
	-	None