

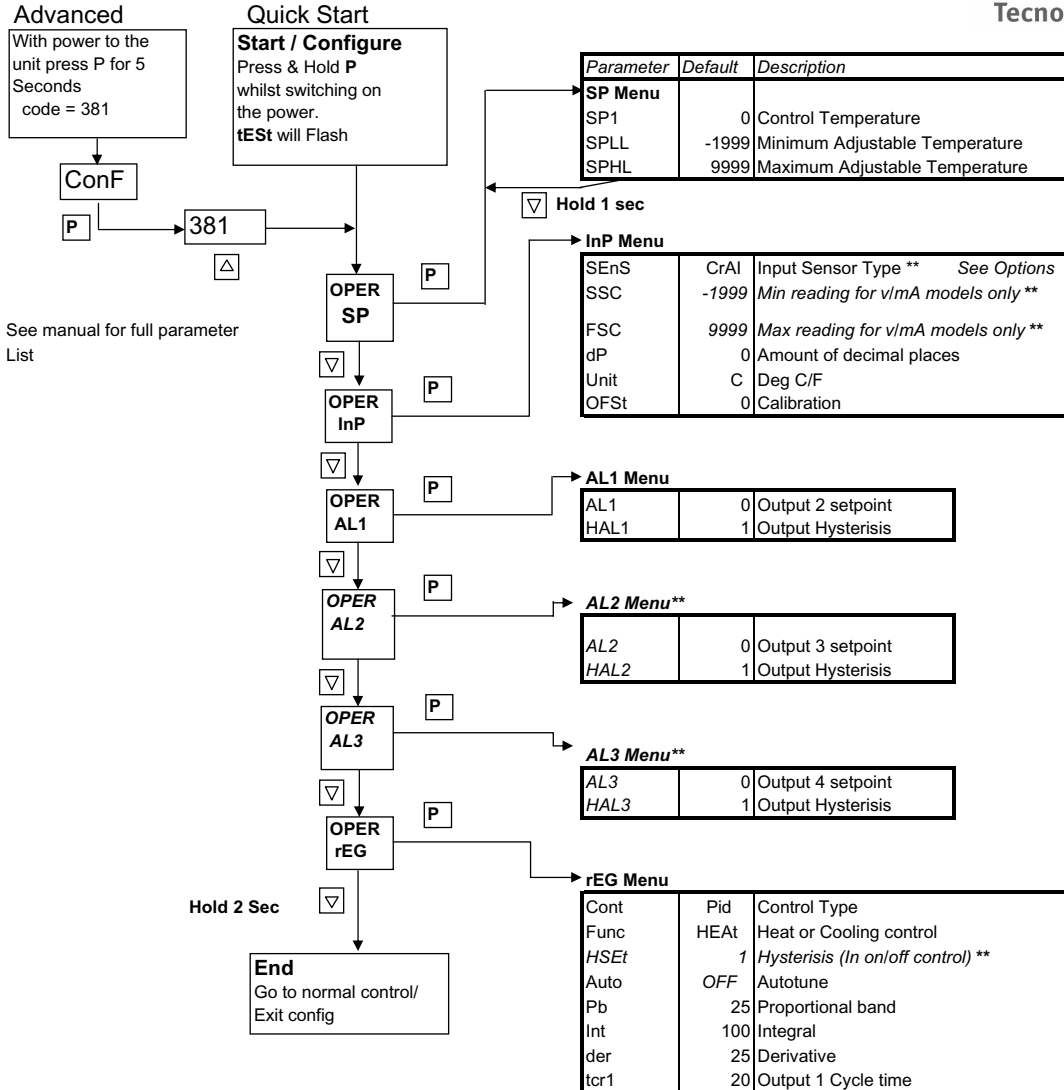
TLK 32/ 39/ 49 T Quick Set-Up Guide

Models with only 2 outputs will not show AL2 or AL3 Menus**

** Items may not appear depending on model/program



Tecnologic UK Ltd



Key

P	P button used for entering or viewing a parameter/ menu
▽ △	Up & Down buttons used for changing values
▽	Holding down for 1 second will take you back one step Holding down for 2 seconds will take you out of configuration

Setting information

Parameter	Meaning
SEnS	Input type Thermocouples K = CrAL J = J R = r T = t S = S Millivolts DC 0-60=0.60 0-50=0.50 12-60=12.60 Rtd/Pt100 = Pt1 Infra-Red Prefix IR infront of thermocouple type
SSC	Sets the lower display reading for analogue inputs
FSC	Sets the higher display reading for analogue inputs
AL	Alarm Setting Relays Close on temperature rise. See manual for alternative settings
Auto	Autotuning for Pb, It, dEr, tcr1, tcr2, PrAt where applicable To do an autotune, change setting to (2) & SP to the normal set temperature This will go into autotune the next time the unit is switched on See manual for further information

Removing the AL1, AL2, AL3 settings from appearing in setpoint menu (after a setpoint change)

1. Go into configuration to parameter AL1.
2. A green LED is on, on the bottom right of the display, showing that AL1 is not hidden
3. Press the U key, the light will now be off, and the AL1 setting will only appear in the configuration menu
4. Hold the Down key for 2 seconds to exit Configuration

the complete temperature control solution

Wesley House, 24 Grosvenor Road, Aldershot, Hants GU11 1DP. United Kingdom.
t: 01252 331095 f: 01252 334630 e: sales@tecnologicuk.co.uk

VAT registration no: 799 8616 39 Company registration no: 4550940