

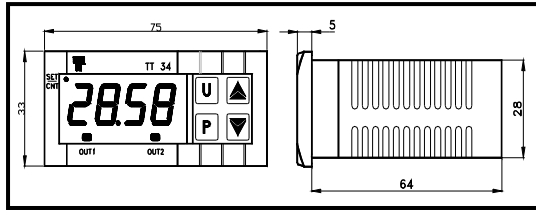
Digital Timers



- **MULTIRANGE**
- **MULTIFUNCTION**
- **33x75 mm**
- **48x48 mm**
- **72x72 mm**



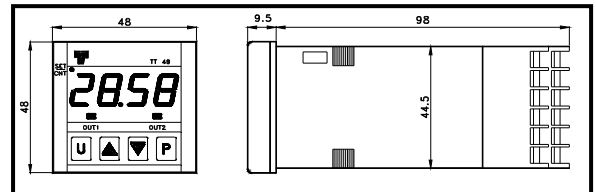
| MECHANICAL CHARACTERISTICS | | | |
|--|---|--|---------------------------|
| Housing | Self-extinguishing plastic, UL 94 V0 | | |
| Dimensions | 33x75x64 mm | 48x48x98 mm (1/16DIN) | 72x72x96 mm |
| Weight | 175 g. | 200 g. | 270 g. |
| Connections | 2,5 mm ² screw terminal block | | |
| Mounting | Panel Cutout 29x71 mm | Panel Cutout 45x45 mm | Panel Cutout 66,5x66,5 mm |
| Front panel protection | IP 65 mounted in panel with gasket | IP 54 mounted in panel with gasket | |
| ELECTRICAL DATA | | | |
| Power supply | 12, 24 VAC/DC, 100-240 VAC +/-10% | | |
| AC Frequency | 50 / 60 Hz | | |
| Power consumption | 2 VA approx. | | |
| Battery | External 9 V – E type | Inside 3,6 V - Rechargeable | |
| Voltage input consumption | 1 mA max. | | |
| INPUT DATA | | | |
| Digital input | 2 inputs for free voltage contacts or 2 inputs for voltage signals (same as power supply) | | |
| Input time delay | 15 msec. max | | |
| OUTPUT DATA | | | |
| Relay | Up to 2 outputs SPDT (8 A-AC1, 3 A-AC3 / 250 VAC) | | |
| Relay electric life | 100000 operations | | |
| Solid state relay | Up to 2 outputs 12 VDC / 15 mA for SSR driving | | |
| FUNCTIONAL DATA | | | |
| Programmable functions | OUT1 : Delayed - Feed through - Asymmetrical Oscillator with Start off or Start on - Single cycle Oscillator OUT2 : as OUT1 - as OUT1 but with a second independent time - as OUT1 but with a second relative time | | |
| Programmable time range | 9999 hours - 99 hours 59 minutes – 99 minutes 59 seconds – 99 seconds 99 centiseconds | | |
| Counting mode | UP or DOWN | | |
| Display resolution | According to the used scale : Hours – Minutes – Seconds - Centiseconds | | |
| Overall accuracy | +/- 0.1 % full scale | | |
| Counting autonomy in case of power failure | According to the used external battery type | Approximately 10 hrs. with full charged inside battery | |
| Display | 4 red digit h=12 mm | 4 red digit h=14 mm | |
| Operating temperature | 0...50°C | | |
| Operating humidity | 30...95 RH% without condensation | | |



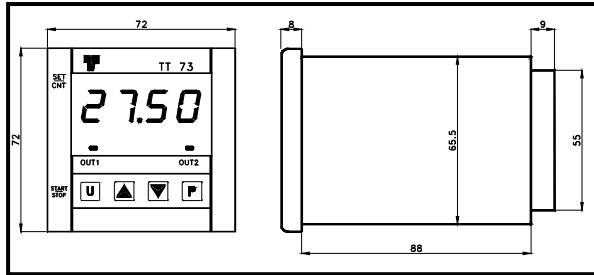
TT 34

DIMENSIONS (mm)

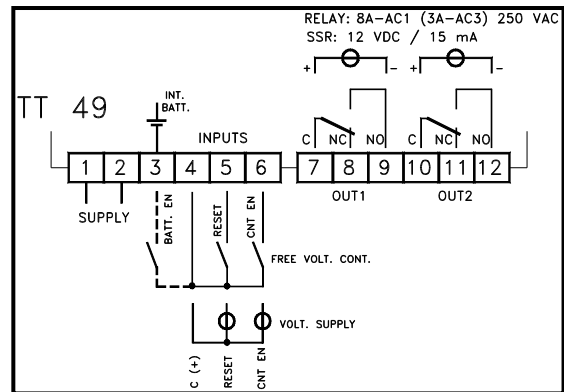
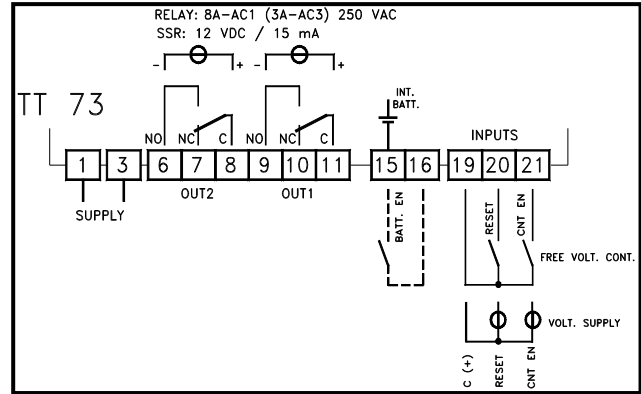
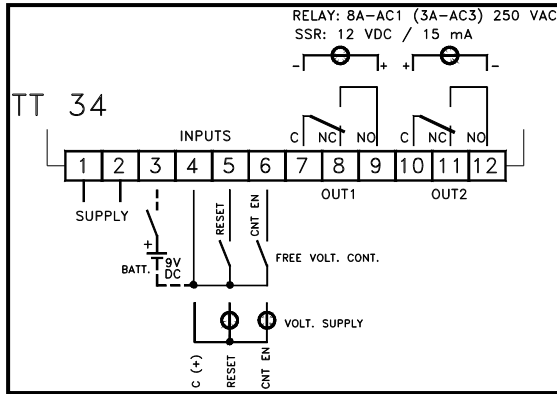
TT 49



TT 73



CONNECTIONS



CODING

| TT 49 | 48 x 48 (1/16 DIN) | |
|--------------|--------------------|-------------------------|
| TT 73 | 72 x 72 | |
| Description | C o d e s | Codes Description |
| Power supply | F | 12 VAC/DC |
| | L | 24 VAC/DC |
| | H | 100-240 VAC |
| Inputs | V | Voltage as power supply |
| | C | Free voltage contacts |
| Output OUT1 | R | Relay |
| | O | 12 VDC for SSR |
| | - | None |
| Output OUT2 | R | Relay |
| | O | 12 VDC for SSR |
| | - | None |
| Battery | B | With battery |
| | - | Without battery |

| TT 34 | 33 x 75 | |
|--------------|-----------|-------------------------|
| Description | C o d e s | Codes Description |
| Power Supply | F | 12 VAC/DC |
| | L | 24 VAC/DC |
| | H | 100-240 VAC |
| Inputs | V | Voltage as power supply |
| | C | Free-voltage contacts |
| Output OUT1 | R | Relay |
| | O | 12 VDC for SSR |
| | - | None |
| Output OUT2 | R | Relay |
| | O | 12 VDC for SSR |
| - | None | |