

TECNOLOGIC TYPE K  
THERMOCOUPLE COMPLETE WITH  
IP68 ALUMINIUM CONNECTION  
HEAD.

SUPPLIED WITH SEM206TC IN HEAD  
TRANSMITTER.

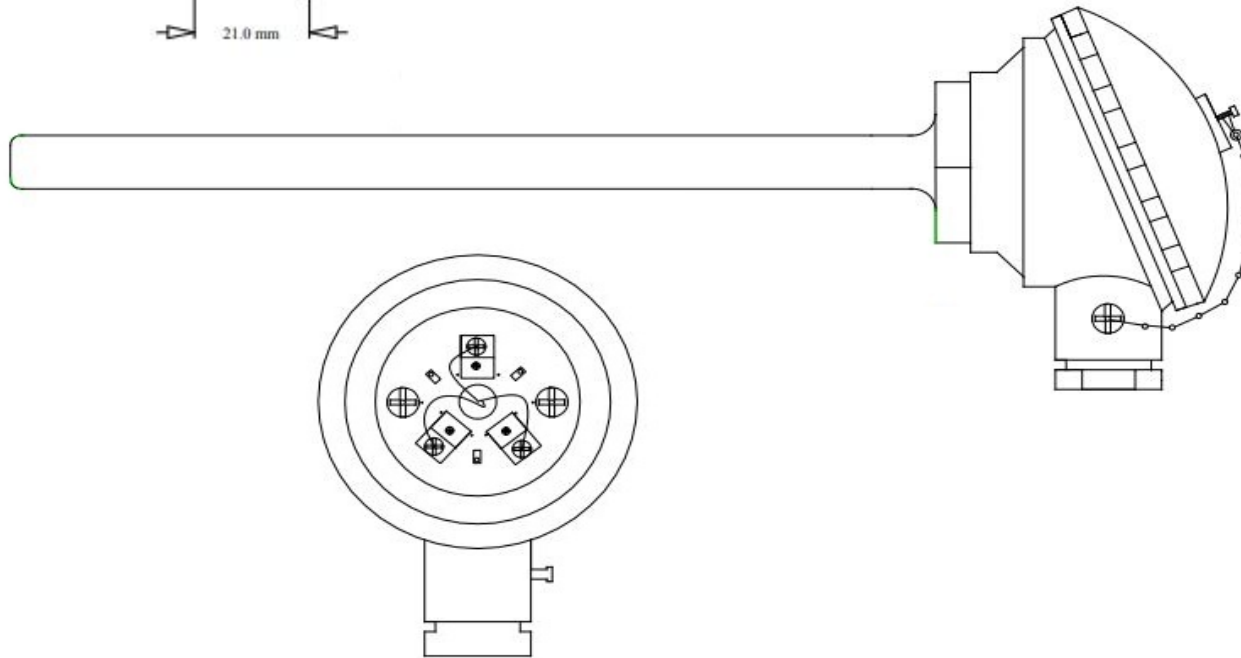
INSULATED JUNCTION

FIBERGLASS INNARDS

6 MM DIAMETER ST.STEEL

100 MM LONG ST.STEEL TUBE

M20 X 1.5 CONDUIT ENTRY  
HEAD MATERIAL: ALUMINIUM  
PROTECTION PROBE MATERIAL: ST/  
STEEL 316



\*THESE HEADS ARE IDEAL FOR  
HOUSING A TRANSMITTER OR TO  
GIVE A BASIC PROBE MORE  
MECHANICAL\*

DATE: 2018	DRAWN BY: JM	MATERIAL: Material <not specified>	SHEET: 1 OF 1	SIZE	
				<b>A</b>	
DRWG NO: T/C-K-6MMX100MM- HEAD-FG-SEM206TC	TITLE: T/C-K-6MMX100MM-HEAD-FG-SEM206TC				